

STAGE CAR

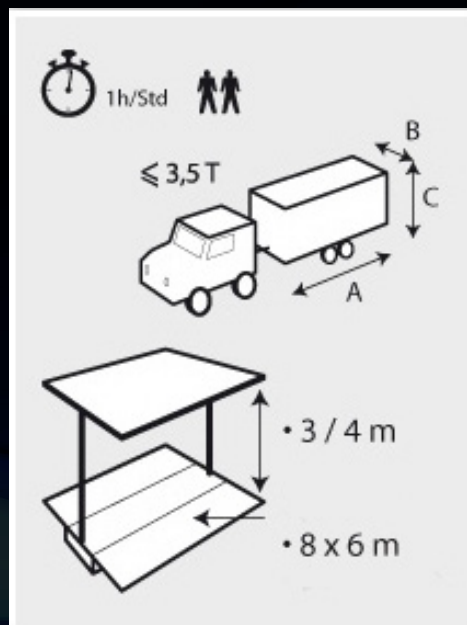
This is our entry level mobile stage. Its floor dimensions when open are 8m x 6m.
Can be setup within 30 minutes. A real high-performance piece of equipment,
devoted to professional companies, and at an affordable price.



This is the flagship product of EUROPODIUM. Nowadays over 400 STAGECAR products are performing all around the world. Probably the most used moving podium in the world.

With a surface of 48 m/sq, a floor of 1 m and 3 or 4 m clearance, fully mechanical, requiring only a little maintenance, the whole structure of the roof and the floor is made of aluminium.
The roof is made of circular tubes of 50mm diameter allowing the hook to hang the projector.

	<u>Trailer</u>
Length (A)	9,50 m
Width (B)	2,50 m
Height (C)	3,50 m
Weight	2,8 T
Signaling	CEE
	<u>Flooring</u>
Length x Width	8x6 m
Ground flooring	0,90/1,10 m
Height	500 kg/m/sq
Resistance	48 m/sq
Surface Type	Exterior flooring
	<u>Roofing</u>
Clearance	3/4 m
Rear post	3 m
Capacity (distributed)	800 kg
Type	Tarpaulin M2



CALL US NOW:

IRELAND: 1800 200 400

John: +353 (1) 460 5608

john@stagecoaster.com

U.K. +44 (28) 90739241

Shane: +44 (78) 84214735

info@stagecoaster.com

STAGECOASTER.COM

Visit our website for more information